

PRODUCT DESCRIPTION

CIRCAMAN – MR16



Human Centric Lighting is now available for thoughtful retail, hospitality and care applications such as restaurant, shops, showrooms, homes, and museums.

Our lamps give uniquely superior light with different whites and brightness levels synchronized with the natural circadian rhythms. The Human Centric Circadian Light aligns automatically and can improve well-being, comfort, satisfaction and life quality.

Smooth transition color tuning technology ensure color and brightness changes are subtle and not noticeable. The lamps are designed with high lumen maintenance and excellent color consistency.

FEATURES

- Circadian Rhythm of Light 2800K - 5700K during different time
- Dual Colours - Single Point source LED
- Available in 6.8W for 35W halogen equivalent
- Tunable White with Narrow Beam Angle
- AC/DC 12V input
- Enclosed fixture compatibility
- Thermal protection – Auto dim-down
- Available multi-beam angle selection 10°/15°/24°/38°/10°x60°/30°x60°
- Selectable CCT - 2800K/3000K/3500K/4000K/4500K/5000K/5700K
- Dimmable to 5%
- Android Apps or Optional 2.4GHz Wireless Remote Control

APPLICATIONS

- Display, Hotel, Office, Residential, Restaurant, Retail, Speciality

BENEFITS

- Productivity and concentration improvements
- Improved mood
- Increased customer satisfactory and well-being
- Boost customer dwell time and sale

GENERAL SPECIFICATIONS

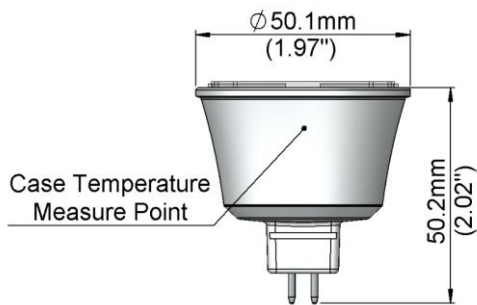
Gap Base	GU5.3	Dimension	Ø50.1mm x 57mm Height
Working Voltage	12V AC/DC	Weight	60g
Halogen Equivalent	35W - 50W	Lifetime	35000 hrs – 50000 hrs (nom.)
Power	6.8W	Switching	50000x
Frequency	50/60Hz (12VAC)	Operation Temp.	70°C (nom.) to 80°C @ Case Temperature
EU RoHS compliant	YES	Max. operation temp.	90°C @ Case Temperature

PRODUCT INFORMATION

Colour temp.	2800K – 5700K
CRI	90 (Typ.) CRI 80 and 95 on request
Color Consistency	3 Steps MacAdam @2800K and @5700K
Selectable CCT:	2800K / 3000K / 3500K / 4000K / 4500K / 5000K / 5700K
Brightness Setting:	100% / 75% / 50% / 25% / 10% / 5%
Beam Angle	10° / 15° / 24° / 38° / 10° x 60° / 30° x 60°
Mode:	A-Mode (Auto - CCT-brightness changing – Constant power) C-Mode (Circadian Rhythm - CCT-brightness changing for HCL)

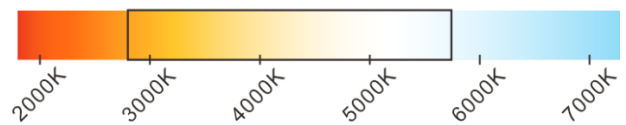
*CCT selection and Dimming functions by remote control or Apps

DIMENSIONS



CCT RANGE

2800K – 5700K

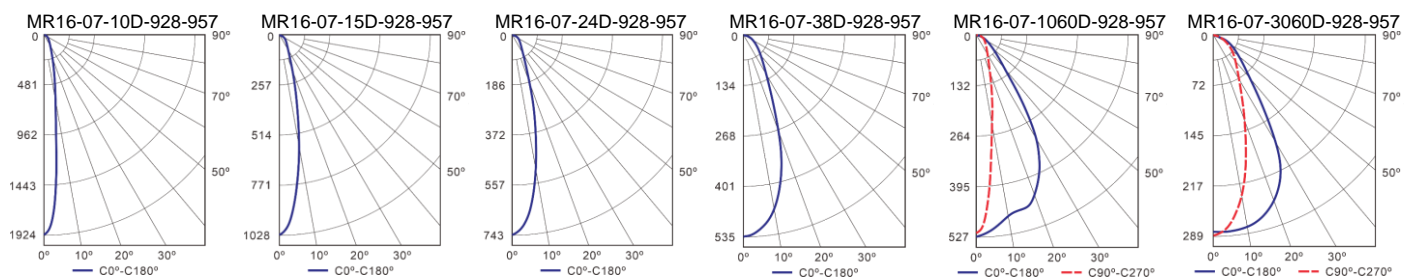


ORDERING INFORMATION

Example Model: MR16-07-15D-928-957-01

Product and Lamp Base	Wattage	Beam Angle	Min. CCT – Max. CCT	Version	Voltage (optional)
MR16	07	15D	928 - 957	01	
MR16 For MR16-GU5.3 (12V AC/DC)	07 (Typ. 6.8W)	10D (For 10°)	928 – 957 2800K – 5700K@90 CRI *(CRI 80 / 95 on request)	01 Gen.1	For MR16GU10 only TBC
MR111GU For MR16-GU10 (AC 100 ~ 240V) (coming soon)		15D (For 15°)			
		24D (For 24°)			
		1060D (For 10°x60°)			
		3060D (For 30°x60°)			

PHOTOMETRY



Tested at 25°C ambient testing temperature, CCT=3000K, 100% Brightness

Pls. refer to Product Data Sheet for detail information and product data

Circadian Lighting Limited

contact@circadian-lighting.com www.circadian-lighting.com

© 2021 Circadian Lighting Limited. All rights reserved. For informational purposes only. Content is subject to change.